

| | | | | |
|-------|----------|-------|--------|------------|
| Date: | Project: | Type: | Notes: | Catalog #: |
|-------|----------|-------|--------|------------|

FPB-AOK-RFKW SERIES

Adjustable Output LED Backlit Flat Panel Retrofit Kit

The FPB-AOK-RFKW Series is a kit designed to distribute light spaciouly along both vertical and horizontal planes. Adjustability includes three lumen outputs, three color temperatures in each of the three fixtures offered.



Features & Specifications

Applications

Ideal for use in offices, retail, schools, hallways, multi-purpose rooms and hospitality.

Construction

Housing made from cold rolled steel and is finished with a post-production baked white powder coat with extruded aluminum brackets. Frosted polystyrene diffuser.

Mounting

Troffer retrofit kit - hardware included.

Electrical

Utilizes high-efficiency LED power supply and circuit boards. 120-277V & 0-10V dimming standard. 50/60HZ input frequency.

Operating Temperature

Suitable for -20°C – 50°C Ambient

Lumen Maintenance

L70 rating of 100,000 hours

Warranty

Five-year warranty. Terms and Conditions Apply. See warranty documentation for more information.

Certification

UL Damp Listed. Adheres to LM79, LM80 and TM21 industry standards. DesignLights Consortium® (DLC) qualified. DLC 5.1 rating. RoHS Compliant. IC Rated.

Performance Data

| FSC Part # | Form Factor | Rated Wattage | Kelvin Temp | Delivered Lumens | Efficacy |
|-----------------------|-------------|---------------|-------------|------------------|----------|
| FPB-24-4500L-AOK-RFKW | 2x4 | 23 | 3500 | 2875 | 125 |
| | | 23 | 4000 | 2875 | 125 |
| | | 23 | 5000 | 2875 | 125 |
| | | 30 | 3500 | 3750 | 125 |
| | | 30 | 4000 | 3750 | 125 |
| | | 30 | 5000 | 3750 | 125 |
| | | 36 | 3500 | 4500 | 125 |
| | | 36 | 4000 | 4500 | 125 |
| | | 36 | 5000 | 4500 | 125 |
| FPB-22-3100L-AOK-RFKW | 2x2 | 18 | 3500 | 2250 | 125 |
| | | 18 | 4000 | 2250 | 125 |
| | | 18 | 5000 | 2250 | 125 |
| | | 22 | 3500 | 2750 | 125 |
| | | 22 | 4000 | 2750 | 125 |
| | | 22 | 5000 | 2750 | 125 |
| | | 25 | 3500 | 3125 | 125 |
| | | 25 | 4000 | 3125 | 125 |
| | | 25 | 5000 | 3125 | 125 |
| FPB-14-3100L-AOK-RFKW | 1x4 | 18 | 3500 | 2250 | 125 |
| | | 18 | 4000 | 2250 | 125 |
| | | 18 | 5000 | 2250 | 125 |
| | | 22 | 3500 | 2750 | 125 |
| | | 22 | 4000 | 2750 | 125 |
| | | 22 | 5000 | 2750 | 125 |
| | | 25 | 3500 | 3125 | 125 |
| | | 25 | 4000 | 3125 | 125 |
| | | 25 | 5000 | 3125 | 125 |



| | | | | | | | | |
|------------|---|---|---|---|---|---|--|--|
| FPB | | | | | | | | |
| 1 | 2 | 3 | 4 | 5 | 5 | 5 | | |

1 - Series

2 - Dimensions/Wattage

3 - Type

FPB

24-4500L (2x4 / 23 Watt)
(2x4 / 30 Watt)
(2x4 / 36 Watt)

22-3100L (2x2 / 18 Watt)
(2x2 / 22 Watt)
(2x2 / 25 Watt)

14- 3100L (1x4 / 18 Watt)
(1x4 / 22 Watt)
(1x4 / 25 Watt)

AOK-RFKW (Adjustable Output and Kelvin Temp 35K, 40K & 50K)

5- Accessories

EM8W 8W EMBB

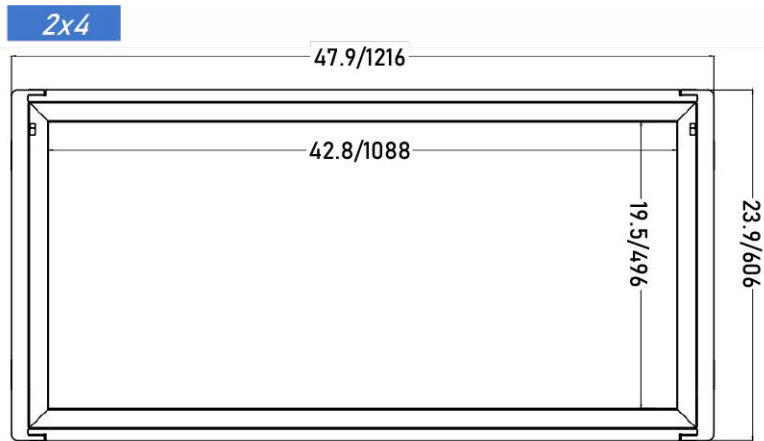
EM10WT20-BW EMBB with Installation Bracket and Whip

90 CRI90 (Special Order)

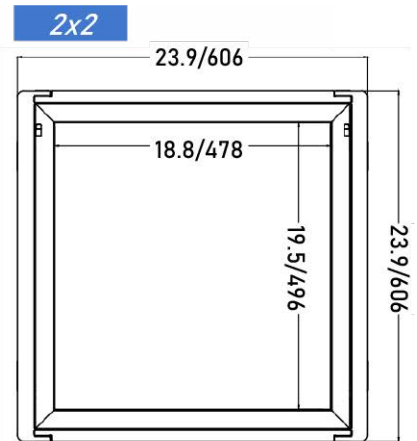
Physical Characteristics

Dimensions

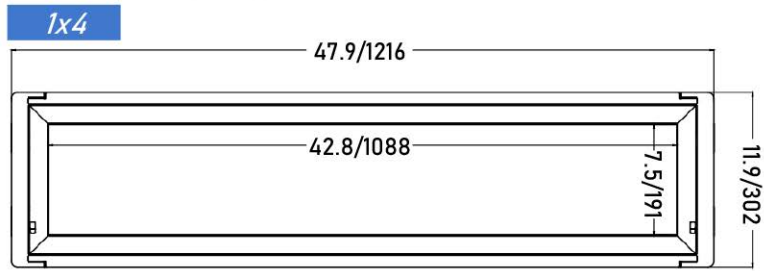
| Version | Depth | Length | Width | Weight |
|---------|-------|--------|-------|--------|
| 2x4 | 2.2" | 47.9" | 23.9" | 9.6lbs |
| 2x2 | 2.2" | 23.9" | 23.9" | 4.9lbs |
| 1x4 | 2.2" | 47.9" | 11.9" | 5.2lbs |



Net weight: 9.6lb/4.4Kg



Net weight: 4.9lb/2.2Kg



Net weight: 5.2lb/2.4Kg

