

Date:	Project:	Type:	Notes:	Catalog #:
-------	----------	-------	--------	------------

FPB-AOK-RFKW SERIES

Adjustable Output LED Backlit Flat Panel Retrofit Kit

The FPB-AOK-RFKW Series is a kit designed to distribute light spaciouly along both vertical and horizontal planes. Adjustability includes three lumen outputs, three color temperatures in each of the three fixtures offered.



Features & Specifications

Applications

Ideal for use in offices, retail, schools, hallways, multi-purpose rooms and hospitality.

Construction

Housing made from cold rolled steel and is finished with a post-production baked white powder coat with extruded aluminum brackets. Frosted polystyrene diffuser.

Mounting

Troffer retrofit kit - hardware included.

Electrical

Utilizes high-efficiency LED power supply and circuit boards. 120-277V & 0-10V dimming standard. 50/60HZ input frequency.

Operating Temperature

Suitable for -20°C – 50°C Ambient

Lumen Maintenance

L70 rating of 100,000 hours

Warranty

Five-year warranty. Terms and Conditions Apply. See warranty documentation for more information.

Certification

UL Damp Listed. Adheres to LM79, LM80 and TM21 industry standards. DesignLights Consortium® (DLC) qualified. DLC 5.1 rating. RoHS Compliant. IC Rated.

Performance Data

FSC Part #	Form Factor	Rated Wattage	Kelvin Temp	Delivered Lumens	Efficacy
FPB-24-4500L-AOK-RFKW	2x4	23	3500	2875	125
		23	4000	2875	125
		23	5000	2875	125
		30	3500	3750	125
		30	4000	3750	125
		30	5000	3750	125
		36	3500	4500	125
		36	4000	4500	125
		36	5000	4500	125
FPB-22-3100L-AOK-RFKW	2x2	18	3500	2250	125
		18	4000	2250	125
		18	5000	2250	125
		22	3500	2750	125
		22	4000	2750	125
		22	5000	2750	125
		25	3500	3125	125
		25	4000	3125	125
		25	5000	3125	125
FPB-14-3100L-AOK-RFKW	1x4	18	3500	2250	125
		18	4000	2250	125
		18	5000	2250	125
		22	3500	2750	125
		22	4000	2750	125
		22	5000	2750	125
		25	3500	3125	125
		25	4000	3125	125
		25	5000	3125	125



FPB								
1	2	3	4	5	5	5		

1 - Series	2 - Dimensions/Wattage	3 - Type
------------	------------------------	----------

FPB	24-4500L (2x4 / 23 Watt) (2x4 / 30 Watt) (2x4 / 36 Watt) 22-3100L (2x2 / 18 Watt) (2x2 / 22 Watt) (2x2 / 25 Watt) 14- 3100L (1x4 / 18 Watt) (1x4 / 22 Watt) (1x4 / 25 Watt)	AOK-RFKW (Adjustable Output and Kelvin Temp 35K, 40K & 50K)
------------	--	--

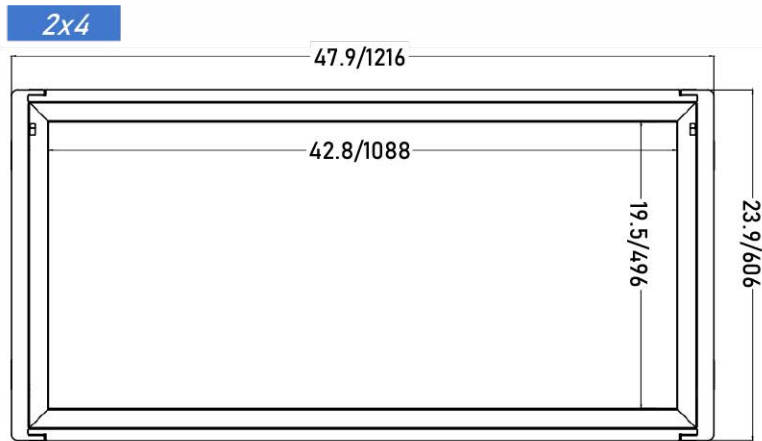
5- Accessories

- EM8W** 8W EMBB
- EM10WT20-BW** EMBB with Installation Bracket and Whip
- 90** CRI90 (Special Order)

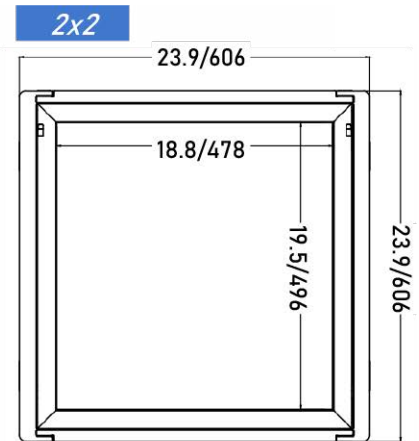
Physical Characteristics

Dimensions

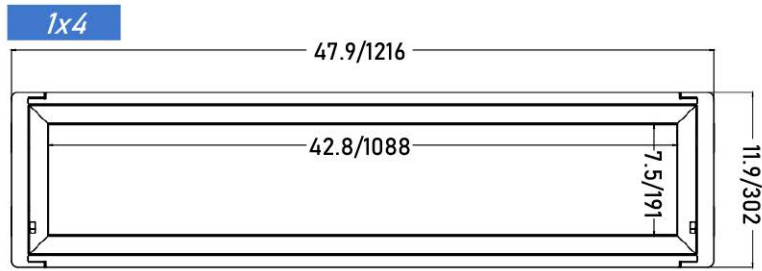
Version	Depth	Length	Width	Weight
2x4	2.2"	47.9"	23.9"	9.6lbs
2x2	2.2"	23.9"	23.9"	4.9lbs
1x4	2.2"	47.9"	11.9"	5.2lbs



Net weight: 9.6lb/4.4Kg



Net weight: 4.9lb/2.2Kg



Net weight: 5.2lb/2.4Kg

